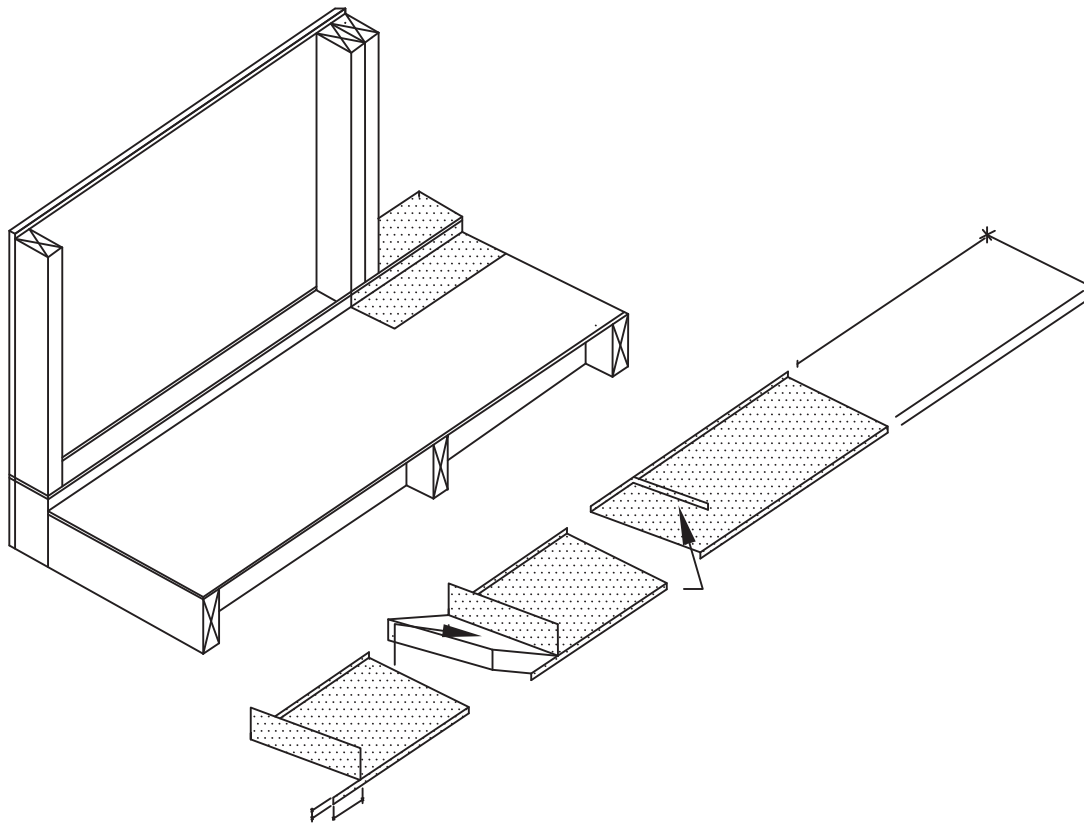




Tile & Stone Installation Systems



MK G1.18 DOOR OR SILL PAN FLASHING TO EXTERIOR DECK

NOTES:

- 1.INSTALLATION PER TCNA & ANSI.

Disclaimer: The design specifications and construction shall comply with industry standards and all local building codes applicable at the time of construction.

Parex USA installation guidelines are for general information and guidance only.

Parex USA specifically disclaims any liability for the use of this design, and for design engineering, or workmanship of any project.

It is the Design Professional responsibility for the following: (1) the project design specifications and drawings; and (2) the selection, suitability and compatibility of the Parex USA products to be used at the project.

Parex USA disclaims all liability and responsibility for any misstatement of fact, error or omission in these CAD drawings and specifications, and for any damages of any kind arising from or in connection with the use of these CAD drawings and specifications. Parex USA encourages the design professional to visit our website at www.merkrete.com for the most current information, CAD drawings and specifications. It is fully understood that, if there is any conflict or inconsistency among these CAD drawings and specifications, our product data sheets, other Parex USA printed materials or our web site, the web site shall control.

Products shown other than those manufactured by Parex USA are shown for clarity of the Parex USA product only.